



OPERATING INSTRUCTIONS

Dust Extractor

S13

**READ ALL INSTRUCTIONS BEFORE
USING**

Introduction

Dear Customer,

Thank you for choosing Ermator as your supplier.

We hope that the Ermator S13 dust extractor will be to your satisfaction and meet your expectations.

Ermator has been manufacturing professional dust extractors since 1967 and has over the years acquired a genuine technical knowledge in this area. We are continuously striving to improve our products in our product segment and will continue to supply the market with new equipment.

Notice!

These instructions are only for dust extractor type Ermator S13.

The Ermator S13 dust extractor can only be used with dry, non-explosive material.

The Ermator S13 dust extractor has been designed to clean construction areas and be connected to small electrical machines such as drills etc.

Ermator will not be held responsible if the dust extractor is used for other applications or been used in ways other than those outlined in this instruction manual.

Please pay particular attention to the safety regulations.

Read the complete instruction manual before using the Ermator S13.

All spare parts used with the Ermator S13 must be those specified by Ermator.

Unpacking

When unpacking the machine, please check that the following accessories are included:

- The hose with end fittings.
- Handle.
- Floor nozzle.
- Extra bags.

If any of the above-mentioned parts are missing, please contact your local distributor or our sales representative.

Assemble the front wheels using the using bolt, washer and nut that are included in the package.

Safety Instructions

Handling

Warning

- Cables damaged through crushing or splitting can be dangerous if used and should be replaced immediately. Risk of personal injury.

Warning

- Do not connect the machine to an unearthed socket. Risk of personal injury.

Warning

- Make sure the assembly area is firm, so the dust extractor does not tip over. Risk of personal and material injury.
-

Warning

- Risk of pinching when handling the toggle fastener.

Warning

- The machine must not be used in environments where explosive gases may be present. Serious risk of explosion.

Service

Warning

- Remove the plug from the wall socket when carrying out maintenance work. Risk of personal injury.

Warning

- Dust can be spread when the coarse filter and the absolute filter are replaced that can be hazardous to health. Accordingly, the user should wear protective glasses, protective gloves, and a breathing mask conforming to protection class FFP3.

Warning

- Do not puncture the absolute filter. Risk of dust dispersion.

Function

The machine is designed for sucking and separating dry, non-combustible dust with an explosion limit value of $>0.1\text{mg/m}^3$.

The motor is started by the switch.

The switch has three positions: **0:** Motor off

1: Motor on

2: Autostart function, only 230V version (*When you use the dust extractor together with another machine, there is an electrical outlet on the dust extractor. Connect the machine to this outlet. Then when you start it up the dust extractor will also start. When you turn in off the dust extractor will continue to run for approximately 20 seconds. To empty the hose.*)

Dust-laden air is then sucked through the inlet valve at high speed via the suction hose. The air is slowed down by the cyclone and coarse dust particles are separated out, partly by centrifugal force and partly by gravity. Air and finer particles then pass through the double filter system where separation is made. The machine is designed for filter cleaning by reverse air pulse.

The separated dust accumulates in the cyclone until the machine is switched off, when it drops through the bottom flap into the plastic bag.

Use

Before use, the user must be trained in handling the machine and the hazardous dust.

WARNING

Connect the electric plug to a power outlet with the correct voltage, see the nameplate.

Connect the electric plug to an outlet with the correct voltage (see the designation plate).

The filter must be cleaned from time to time. This must be done before changing the plastic bag and can also be done when the work is complete or when there is poor suction.

Procedure: Cover the inlet, use attached cover, let the machine build up vacuum for a few seconds then quickly push down on the key and release it. Repeat the procedure 4-5 times.

Turn of the motor and wait until it stops completely, then uncover the inlet.

If suction remains poor, the filter should be replaced.

The plastic bag may only be replaced after cleaning the filter.

The plastic bag must be tied up after removal.

Only use original parts.

Filter change

Risk of dust dispersion - Use of personal safety equipment

Unhealthy dust can be spread during filter change. Accordingly, the user should wear protective glasses, protective gloves, and a breathing mask conforming to protection class FFP3.

WARNING

Switch off the machine and pull the plug out of the socket.

Main filter

Loosen the 3 clamps and remove the top. Lift out the filter, remove the gasket and place the filter gently in a plastic bag. This bag must be properly disposed of.

Insert a new filter.

Only original filters may be used.

Hepa Filter

Loosen the two nuts on the filter cap carefully lift the filter into a clean plastic bag. This bag must be properly disposed of. Insert a new filter in reverse order.

Check the seal when changing filters and change defective seals.

Change of dust bag/ reload Longopac

When changing dust bag do as follow:

Loosen the belt holding the dust bag. Start the dust extractor. Remove the dust bag and dispose it. Attach a new bag, tighten the belt end then start use the machine or turn it off. Use the same procedure when reloading Longopac (optional).

Service

WARNING

Before cleaning and servicing the machine, you must switch the machine off and pull out the plug from the outlet.

- When cleaning and servicing the machine, you must switch off the machine and remove the plug from the socket.
- Avoid cleaning with a high pressure cleaner. If necessary, do not direct at the openings on the machine, especially the opening for cooling air.
- Before moving the machine from the work area, the machine must be cleaned.
- All other equipment must be regarded as contaminated and be treated thereafter.
- If possible, use a special suitable room.
- Proper personnel protective equipment must be used.
- All parts which are contaminated after service must be properly disposed of in plastic bags according to all regulations.
- If the machine has to be used for other purposes, it is extremely important that the machine is cleaned, to avoid the spread of hazardous dust.

Accessories

Part.no.	Description	No./machine
1276008	Bag (25-pcs)	1 pcs
1376013	Longopac (4-pcs)(option)	1 pcs
201000016	Main filter	1 pcs
200700070a	HEPA 13 filter	1 pcs

For other spare parts, see the enclosed spare parts list.

Warranty

All Ermator devices and accessories have a 12-month factory warranty for material and manufacturing defects. The warranty extends to 36 months when returning the attached warranty slip. Do not attempt to repair the suction apparatus without the consent of the manufacturer.

The warranty does not cover defects which are the result of normal wear and tear, negligence, defective use, unauthorised repair or the suction apparatus being connected to the incorrect voltage. In the event of any complaint, the suction apparatus or an agreed part of it must be returned to us or our authorised representative for warranty examination and for any warranty repair or replacement.

Problem solving

The S13 is designed and manufactured for a severe environment and tasks, but the user must note that the machine must be protected from knocks and blows. Filter, seals, attachments, and connections are carefully adapted and selected with regard to the operator's work environment. Therefore, the operator and service personnel must treat the machine with care in order to work correctly for many years.

Problem	Cause	Procedure
Motor does not start	No power Cable defective Switch defective	Connect the machine Change Change
Motor stops immediately after starting	Wrong fuse	Connect to correct fuse
Motor runs but there is no suction	Hose not connected Hose blocked No plastic bag	Connect hose Clean hose Fit plastic bag
Motor runs but suction Poor	Hole in the hose Filter blocked Top cover loose Sealing defective	Change hose Change filter Adjust Change current seal
Dust blows from motor	Filter loose or defective	Adjust or change
Abnormal noise		Order service

SAVE THESE INSTRUCTIONS!

TECHNICAL DATA

S13 120V	
VOLTAGE	(120VAC, 1-phase)
POWER	1200 W max
MAX AIRFLOW	200 m ³ /h 129 cfm
MAX VACUUM	26 kPa
HOSE	4m x Ø 38mm 13' x Ø 1,5"
INLET	Ø 50mm Ø 2"
MAIN FILTER	>99,5% 1.5m ² /16,6ft ²
HEPA 13 FILTER	>99,95% 1st 1.2m ² /13,32ft ²
SOUND LEVEL	70 dB(A)
DUST COLLECTON SYSTEM	Plastic bag 440x600 mm
DIMENSION LxWxH	840x400x1100 mm
WEIGHT	28 kg 62 lbs

**OM ÖVERENSSTÄMMELSE DECLARATION OF
CONFORMITY
DECLARATION DE CONFORMITÉ
ERKLÄRUNG DER ÜBERSTIMMUNG
SAMSVARSERKLØRING**

**Pullman Ermator AB
Industrivägen 10
S-777 34 SMEDJEBACKEN**

*Försäkrar under eget ansvar att maskinen
Declare under our sole responsibility that the machine
Certifie sous sa propre responsabilité que le produit ciaprès
Versichern auf eigener verantwortung, dass das Produkt
Forsikrer under eget ansvar at maskinen*

S13 120V

No: 0900058a0001-xxxx

Tillv.år/Manufact.year/Baujahr: 2010-

*som omfattas av denna försäkring är i överensstämmelse med standarder:
included in this declaration, follows the provisions of the:
est conforme aux aux normes suivantes:
den folgenden Normen entspricht:
er i overensstemmelse med standarder:*

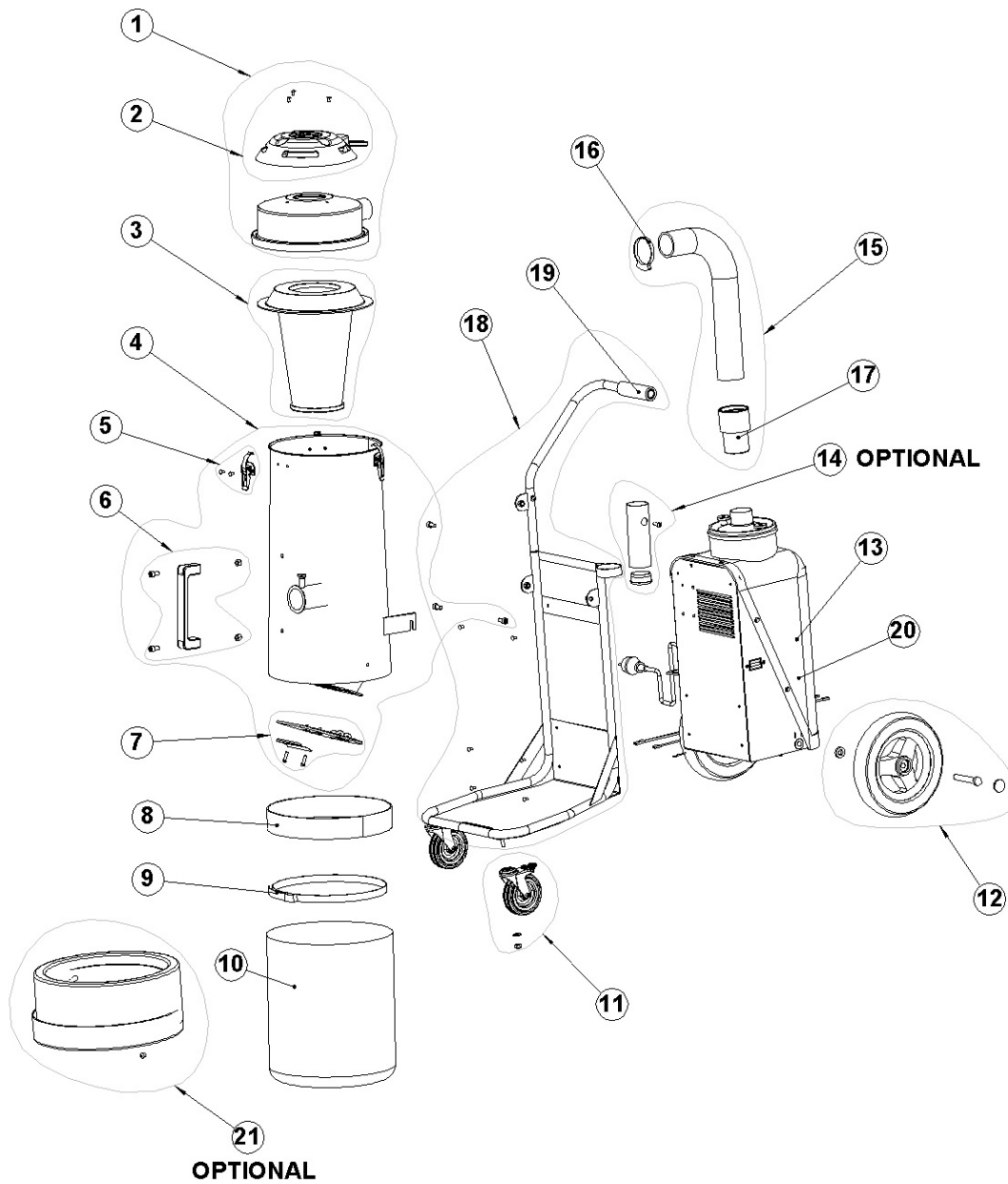
**SS-EN 292-1, SS-EN 60 204-1 (1993.11.30)
SS-EN 55011:1989
SS-EN 50082-1
SS-EN 60335-1, SS-EN 60335-2-69 & A1**

enligt villkoren i/according to/selon/aut/i henhold til vilkårene i
**Machine Directive 98/37/EEG
Low Voltage Directive 73/23/EEG
EMC Directive 89/336/EEG**

SMEDJEBACKEN 2010.01.01

Torbjörn Bengtsson
VD
General Manager

S13 120V



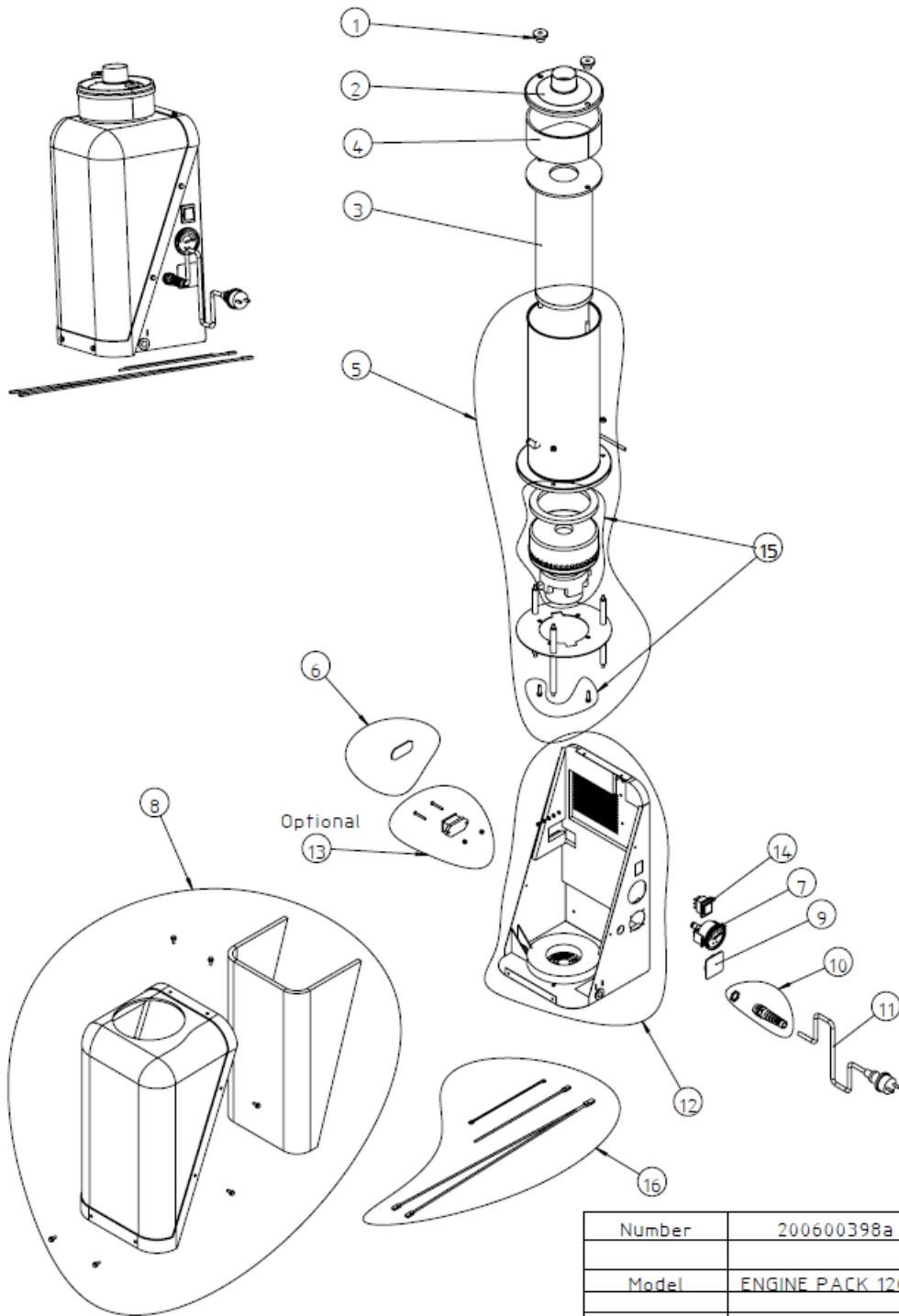
Number	200900249a
Model	S13 120V
Rev.	01

S13 120V

POS.	QTY.	NUMBER	DESCRIPTION	
1	1	201000117	TOP COVER ASSEMBLY (ex.S13)	
2	1	201000118	CLEANING UNIT KIT	
3	1	201000016	MAIN FILTER (ex. S13)	
4	1	201000119a	TANK COMPLETE (ex. S13 US)	
5	3	200600799	HOLDER KIT	
6	1	201000120	HANDLE KIT	
7	1	201000116	FLAP KIT	
8	1	1351145	ANTI-SKID	
9	1	1371001	BELT	
10	1	1276008	PLASTIC BAG	
11	2	200800152	FRONT WHEEL KIT	
12	2	200800151	REAR WHEEL KIT	
13	1	N/A	ENGINE PACK 230V	
14	1	201000122	CLIP HOLDER KIT	
15	1	201000123	HOSE KIT S13	
16	1	200800158	HOSE CLAMP PLASTIC 60-65MM	
17	1	1335011	HOSE END	
18	1	201000124	WAGON COMPLETE	
19	1	1345012	HANDLE	
20	1	200600398a	ENGINE PACK 120V	
21	1	201000115	LONGOPAC SET	

Number	200900249a
Model	S13 120V
Rev.	01

ENGINE PACKAGE 120 V



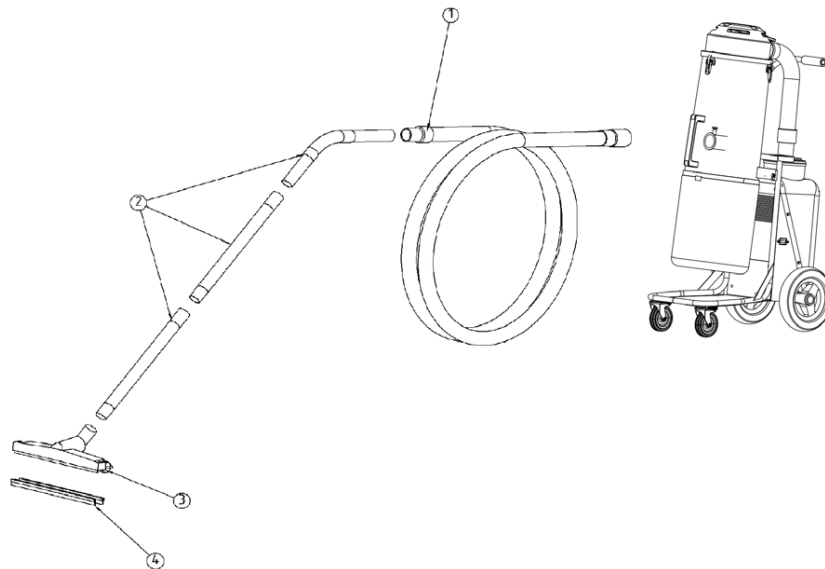
Number	200600398a
Model	ENGINE PACK 120 V
Rev.	A-01

ENGINE PACKAGE 120 V

POS.	QTY	NUMBER	DESCRIPTION	
1	2	200700289	LETTER NUT	
2	1	200700147	FILTER COVER	
3	1	200700070	MICRO FILTER	
4	1	200600080	SEALING	
5	1	200600084h	ENGINE TUBE	
6	1	201000148	COUNTER COVER	
7	1	200700413	MANOMETER KIT	
8	1	200600482	ENGINE COVER, KIT	
9	1	1370019	COVER	
10	1	1362184	CABLE FIX	
11	1	1361025	CORD SET	
12	1	201000134	CHASSI, COMPLETE	
13	1	201000133	COUNTER KIT	
14	1	6362109	SWITCH	
15	1	201000138	S13 120V MOTOR KIT	
16	1	200700396	CABLE KIT	

Number	200600398a
Model	ENGINE PACK 120V
Rev.	01

ACCESSORIES S13 120 V



POS.	QTY	NUMBER	DESCRIPTION	
1	1	200900281	HOSE 38mm x 4m	
2	1	6324034	KC004 SUCTION PIPE	
3	1	1326054	GRD370 FLOOR TOOL	
4	1	1340011	D370A RUBBER BLADES	

Revision 0

Notes

